

# POWERFLEX®

PART NUMBER

## PFF5-2101

DESCRIPTION

### FRONT RADIUS ARM TO CHASSIS BUSH

#### INSTALLATION GUIDE

##### Contents (parts per pack):

4 x Polyurethane Bushes      1 x PTFE/Silicone Grease  
2 x Stainless Steel Sleeves

Please read the complete fitting instructions and check package components before fitment. These fitting instructions are to be used as a guide and in conjunction with workshop manual.

It is recommended that:

- all work to be carried out by a licensed technician;
- all safety precautions adhered to;
- wheel alignment to be checked and adjusted as required after any suspension work.
- All fasteners must be tensioned to manufacturer's torque settings.

##### Fitting Instructions:

1. Remove the original rubber bush from the arm.
2. Clean any dirt and corrosion from the bore of the arm and file off any sharp edges.
3. Fit the polyurethane bush into the bore of the arm.
4. Apply some of the supplied grease into the bore of the polyurethane bush and push the stainless steel sleeve into the bore so that it sits flush. Also apply some grease to the mounting faces of the bush.

**Note: fit the stainless steel sleeve in the bore of the polyurethane bush so that the sleeve bore is rotated 180° away from the centre of the vehicle, as shown in Figure 2.**

5. Refit the arm back to the vehicle and tension all hardware to manufacturers recommended torque settings.



Figure 1

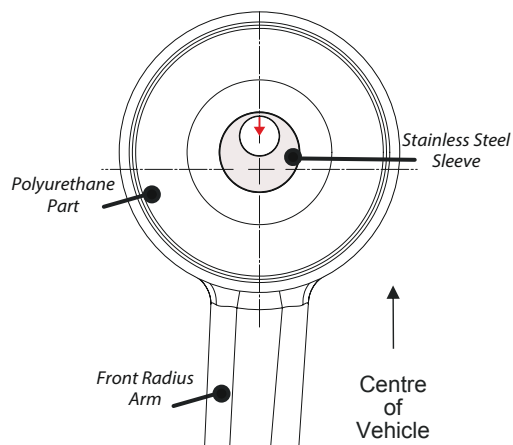


Figure 2