

**THE NETHERLANDS
(N E D E R L A N D)****COMMUNICATION**Concerning ⁽¹⁾:

- approval granted
- ~~- approval extended~~
- ~~- approval refused~~
- ~~- approval withdrawn~~
- ~~- production definitely discontinued~~

of a type of direction indicator pursuant to Regulation number 6.

Approval number: E4-6R-0124528**Extension number: 00**

1. Trade name or mark of the device : DEPO
2. Manufacturer's name for the type of device : 444-1183 R/L PMLDEM2
3. Manufacturer's name and address : DEPO AUTO PARTS INDUSTRIAL CO., LTD.
No. 20-3, Nanshi Ln., Tounan Vil.,
505 - Lugang Township, Changhua County,
Taiwan, R.O.C.
4. If applicable, name and address of the manufacturer's representative : Not applicable
5. Submitted for approval on : October 16 to 28, 2015
6. Technical service responsible for conducting approval tests : TÜV Rheinland Kraftfahrt GmbH
Technologiezentrum Verkehrssicherheit
Typprüfstelle Fahrzeuge/Fahrzeugteile
Postfach 91 09 51
D-51105 Köln / Germany
7. Date of test report issued by that service : November 10, 2015
8. Number of test report issued by that service : 84-R6-01317/15-00
9. Concise description :



Category	: 1/1a/1b/2a/2b/5/6 ⁽¹⁾
Number, category	: One PY21W
Function(s) produced by an interdependent lamp forming part of an interdependent lamps system	: Not applicable
Voltage and wattage	: 12V/21W
Light source module specific identification code	: Not applicable
Only for limited mounting height of equal to or less than 750 mm above the ground	: Yes / no ⁽¹⁾
Geometrical conditions of installation and relating variations, if any	: Refer to the drawing of the information folder
Application of an electronic light source control gear/variable intensity control	: Not applicable
(a) being part of the lamp	: Yes / no ⁽¹⁾
(b) being not part of the lamp	: Yes / no ⁽¹⁾
Input voltage(s) supplied by an electronic light source control gear/variable intensity control	: Not applicable
Electronic light source control gear/variable intensity control manufacturer and identification number (when the light source control gear is part of the lamp but is not included into the lamp body)	: Not applicable
Variable luminous intensity	: Yes / no ⁽¹⁾
Sequential activation of light sources (see paragraph 5.6. of this Regulation)	: Yes / no ⁽¹⁾
10. Position of the approval mark	: On the housing of the lamp
11. Reason(s) for extension (if applicable)	: Not applicable
12. Approval	: Granted/extended/refused/withdrawn ⁽¹⁾
13. Place	: Zoetermeer
14. Date	: 17-NOV-2015



15. Signature

:


Uwe Löbig



16. The list of documents deposited with the Administrative Service which has granted approval is annexed to this communication and may be obtained on request.

⁽¹⁾ Strike out what does not apply.

Type : 444-1183 R/L PMLDEM2
Manufacturer : DEPO AUTO PARTS INDUSTRIAL CO., LTD.

TEST REPORT

according to ECE-Regulation

Uniform provisions concerning the approval of direction indicators for power-driven vehicles and their trailers

No.: **ECE-R6**

including all amendments until

No.: **01 series of amendments, suppl. 26**

Approval Status	
ECE - approval	: E4-6R-0124528 Ext.00

Structure of report:

0. General information
1. Test object(s) and general test information
2. Test minutes
3. Remark concerning tested object(s)
4. Appendices
5. Statement of conformity

The Test Report shall be reproduced and published in full by the client only. It shall however be reproduced partially with the written permission of the Testing Laboratory only.



Type : **444-1183 R/L PMLDEM2**
Manufacturer : **DEPO AUTO PARTS INDUSTRIAL CO., LTD.**

0. General information

- 0.1. Trade mark or trade name of the lamp : DEPO
- 0.2. Manufacturer's name for the type of the lamp : 444-1183 R/L PMLDEM2
- 0.3. Name and address of the manufacturer : DEPO AUTO PARTS INDUSTRIAL CO., LTD.
No. 20-3, Nanshi Ln., Tounan Vil.,
505 - Lugang Township, Changhua County,
Taiwan, R.O.C.
- 0.4. Name and address of the manufacturer's authorised representative : Not applicable
- 0.5. No. of information document : 444-1183 R/L PMLDEM2-00
date of issue : October 27, 2015
date of last amendment : --



Type : 444-1183 R/L PMLDEM2
Manufacturer : DEPO AUTO PARTS INDUSTRIAL CO., LTD.

1. Test object(s) and general test information

1.1. Test object(s)

- Identification no. : Not applicable
- Model : 444-1183 R/L PMLDEM2
- Remark : - Front direction indicator, category 1b
- This lamp is intended to be installed at a mounting height equal to or less than 750 mm above the ground.

1.2. General test information

- 1.2.1 Order issued by (if different from manufacturer) : --
- 1.2.2 Test object received on : --
- 1.2.3 Test date : October 16 to 28, 2015
- 1.2.4 Test site : Depo Auto Parts Ind., Co., Hsin-Ying, Taiwan
- 1.2.5 Remark : The results of the test refer exclusively to the objects mentioned under point 1.1. of this report.



Type : 444-1183 R/L PMLDEM2
 Manufacturer : DEPO AUTO PARTS INDUSTRIAL CO., LTD.

2. Test minutes

2.1. Test facilities : The measurement equipment used was in compliance with the test requirements.

2.2. Test results : ~~The lamp type has been tested according to the amendments mentioned in appendix 0. The photometric values were carried over from the basic report.~~

Markings : The trade mark is marked clearly legible and indelible on the housing of the lamp.

The filament lamp type is clearly legible and indelible marked on the housing of the lamp.

Space for the approval mark and for the additional symbols is provided on the housing of the lamp.

2.3. General specifications : The lamp is designed and made that under normal use their satisfactory operation is ensured and they retain the required characteristics.

The colour of the light emitted inside the field of the light distribution grid defined in paragraph 2 of Annex 4 is amber.

The filament lamp holder conforms to the characteristics stated in the IEC publication 60061.

2.4. Photometric tests : The light emitted was obtained by means of the standard lamp(s) as specified in the information document, producing the required luminous flux.

The light distribution angles and levels of intensity have been measured in accordance with Annex 4 of the Regulation, based on the manufacturer's indication of the centre of reference and axis of reference.

In case of different intensities of light emitted required by the Regulation, the evaluations are based on the most unfavourable limits specified.



Type : 444-1183 R/L PMLDEM2
 Manufacturer : DEPO AUTO PARTS INDUSTRIAL CO., LTD.

Results of photometric tests of the direction indicator, category 1b

distribution of the intensity of the lamps in [cd]								
horizontal angle		L20°	L10°	L5°	V	R5°	R10°	R20°
vertical angle required minimum intensity	U10°			80		80		
	U5°	40	80		280		80	40
	H		140	360	400	360	140	
	D5°	40	80		280		80	40
	D10°			--		--		
vertical angle sample no. 1 (left side)	U10°			100.6		89.8		
	U5°	41.9	188.0		538.7		160.7	103.7
	H		328.7	610.2	657.1	434.0	399.0	
	D5°	127.4	221.7		319.0		357.4	220.8
	D10°			--		--		
vertical angle sample no. 2 (right side)	U10°			136.9		116.2		
	U5°	68.6	172.2		327.1		118.8	71.2
	H		331.4	602.7	855.6	635.9	326.0	
	D5°	196.8	396.3		407.2		511.9	268.3
	D10°			--		--		

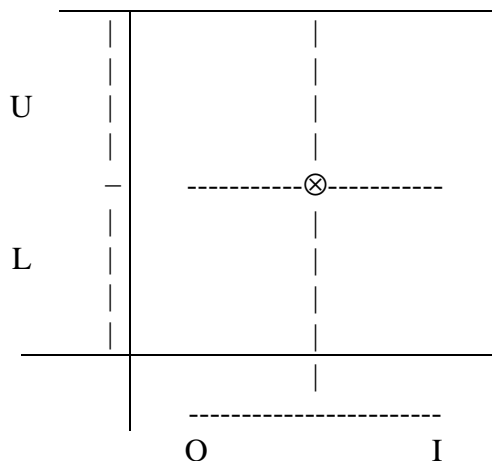
	sample no. 1	sample no. 2	allowable maximum	required minimum
maximum intensity [cd]	735.8	855.6	1200	--
minimum intensity in the field defined in Annex 1 of the Regulation [cd]	0.94	0.95	--	0.7

The light distribution is substantially uniform. The light intensity is within the limits in the fields described in §6 and Annex 4 of the Regulation.



Type : 444-1183 R/L PMLDEM2
 Manufacturer : DEPO AUTO PARTS INDUSTRIAL CO., LTD.

2.5. Illuminating surface : Vertical and horizontal outlines of the illuminating surface of the light-signalling device in relation to the centre of reference and in accordance with Annex 3 of the Regulation ECE-R48.



function	upper boundary (U) [mm]	lower boundary (L) [mm]	outer boundary (O) [mm]	inner boundary (I) [mm]
front direction indicator	22	36	17	17

2.6. Colour of light emitted : The CIE trichromatic coordinates of the light emitted are within the limits in the paragraph 2.29. of the Regulation No. 48:

$$H-V: x = 0.5629, y = 0.4236$$

2.7. Explanatory note : This report describes the examination of the direction indicator as a part of a lamp device.

For the examination of the other lamp of the device, refer to the following report:

Type of lam	Test Report No.
Headlamp	84-R112-01316/15-00
Front position lamp	84-R7-01318/15-00
Daytime running lamp	84-R87-01319/15-00

2.8. Variants and components : Not applicable

Type : 444-1183 R/L PMLDEM2
Manufacturer : DEPO AUTO PARTS INDUSTRIAL CO., LTD.

3. Remark concerning tested object(s)

All versions of the lamp type as stated in the information document are covered with the tested lamp version(s) and test object(s) respectively.

4. Appendices

0 List of modifications

1 Information folder No. : 444-1183 R/L PMLDEM2-00 (2 pages)
(excluding drawings)

5. Statement of conformity

The above mentioned information folder and the type described in that comply with the requirements mentioned on page 1.

Shanghai, 2015/11/10
KWU/JYW



Expert Technical Service



Type : 444-1183 R/L PMLDEM2
Manufacturer : DEPO AUTO PARTS INDUSTRIAL CO., LTD.

List of modifications

Appendix 0

Correction of : --

Modification of : --

Addition of : --

Deletion of : --



Application Type: 444-1183 R/L PMLDEM2**First Application Date: October 27, 2015**

Application regulation:	ECE-R112-00 (for right hand side traffic), ECE-R7-02, ECE-R6-01 (category 1b), ECE-R87-00
--------------------------------	---

1. Light Sources

Function	Light Color	Rated Voltage	Rated Wattage	Category (ECE-R37)
Driving and Passing lamp	White	12V	55W	H7
Driving lamp (supplementary)	White	12V	55W	H7
Front direction indicator	Amber	12V	21W	PY21W
Function	Light Color	Rated Voltage	Rated Wattage	Light Source Module
Front position lamp	White	13.5V	3.9 W	3 LEDs x 2 MD E4 0218997
				Non-Replaceable Light Source
				1 LED
Function	Light Color	Rated Voltage	Rated Wattage	Light Source Module
Daytime running lamp	White	13.5V	13.8 W	3 LEDs x 2 MD E4 0018997

2. Construction and Material

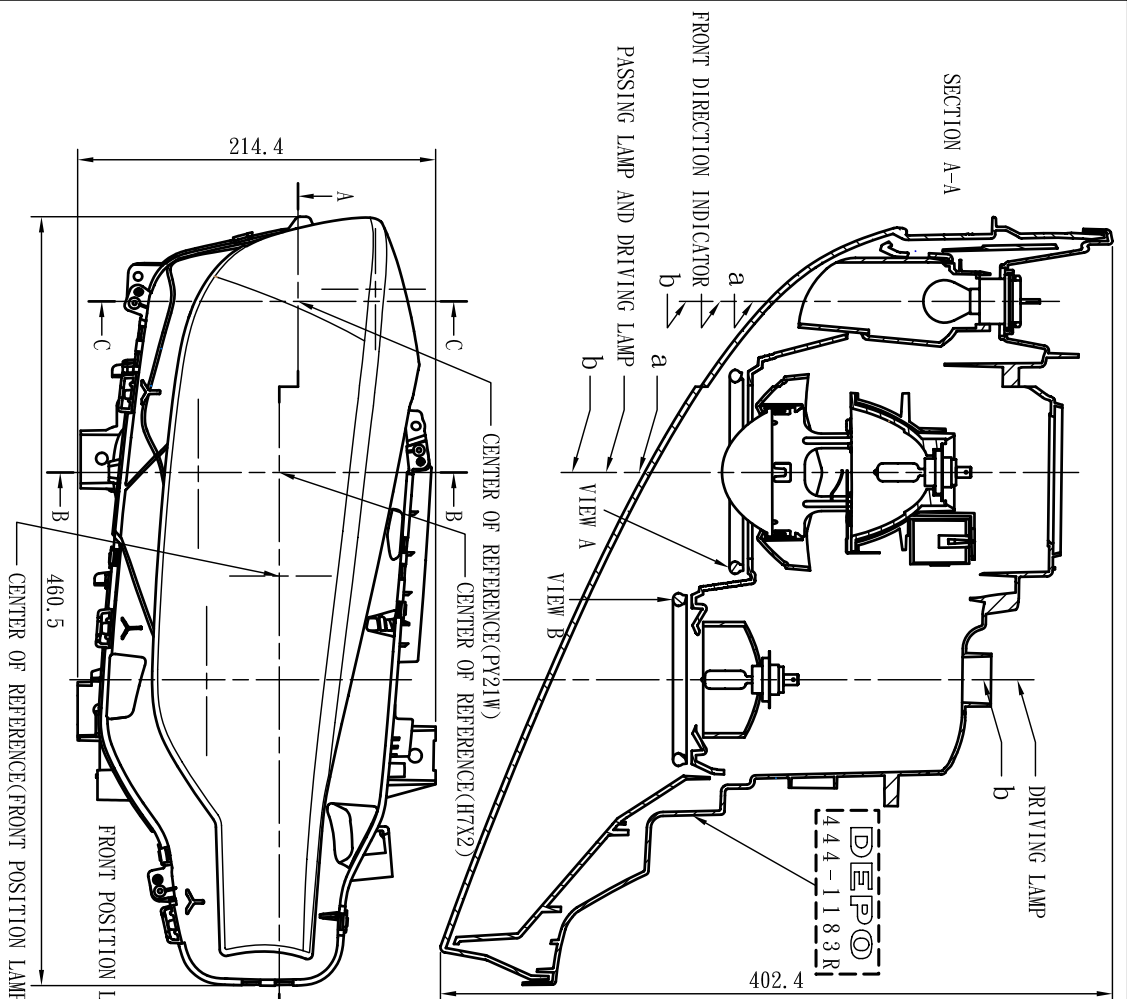
Construction	Material	Remark
Outer lens	PC: GE LS2-111	Coating: UV HC-3000, colourless
Inner lens (Driving and Passing lamp)	Glass	Colourless
Inner lens (Front direction indicator)	PC	Colourless
Light guide volume A (Front position lamp and Daytime running lamp)	PC	Colourless
Light guide volume B (Front position lamp and Daytime running lamp)	PC	Colourless
Light guide volume E (Front position lamp)	PC	Colourless
Housing	Plastic	--
Reflector (Driving and Passing lamp)	Metal	Aluminum vacuum coated
Reflector (supplementary Driving lamp)	Plastic	Aluminum vacuum coated
Reflector (Front direction indicator)	Plastic	Aluminum vacuum coated
Frame	Plastic	--

- 2.1. The front position lamp and daytime running lamp use an electronic light source control gear ~~/variable intensity control~~
- 2.2. The application of an electronic light source control gear ~~/variable intensity control: being part of the lamp / being not part of the lamp~~
- 2.3. Specification of the electronic light source control gear:
- input voltage to the electronic light source control gear: 13.5V
 - input voltage supplied by the electronic light source control gear: 0.15A (fixed current for front position lamp), 0.68A (fixed current for daytime running lamp)

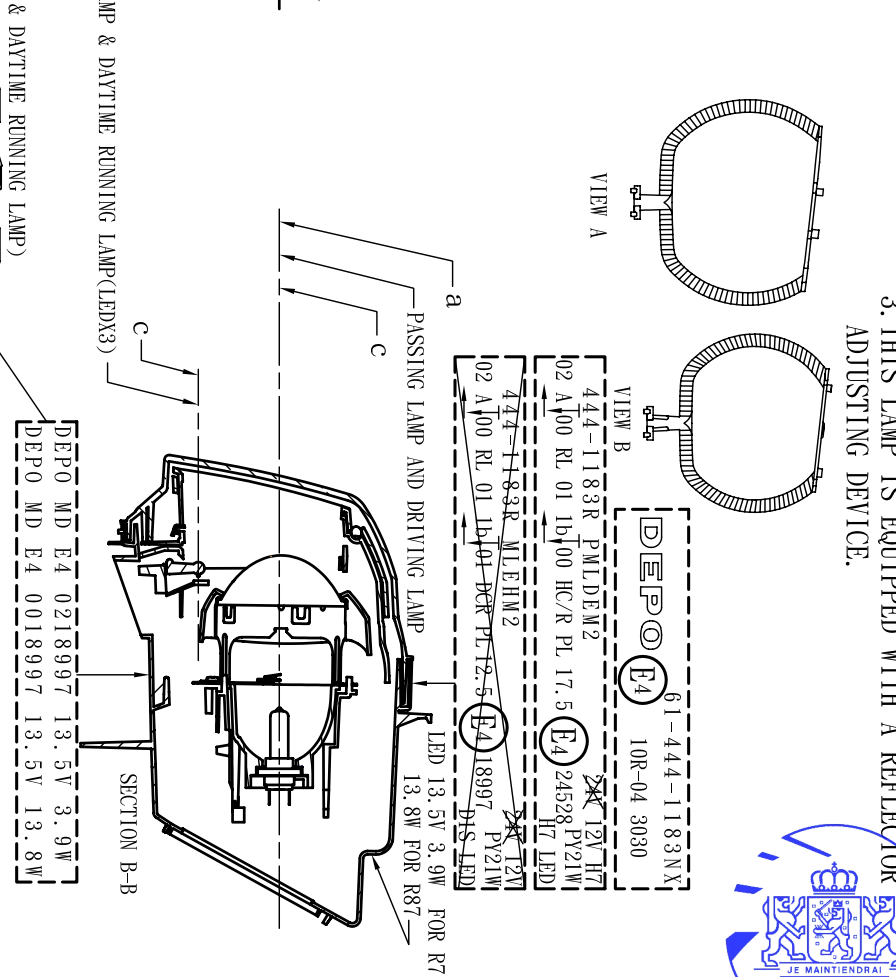


3. The front direction indicator and front position lamp are intended to be installed at a mounting height of equal to or less than 750 mm above the ground.
4. Measures according to paragraph 5.8.1. of R112: the principal passing lamp fulfills the requirements of the paragraph 5.8.2. of the Regulation without taking any measure.
5. The locations of the trade mark(s), the lamp designation mark(s) and the approval mark(s) are indicated in the following drawing(s) attached:
00\444-1183L1, 00\444-1183L2, 00\444-1183L3
6. The drawing number of the electrical related information: 00\444-1183L4
7. **Name and address of manufacturer:**
DEPO AUTO PARTS INDUSTRIAL CO., LTD.
No. 20-3, Nanshi Ln., Tounan Vil.,
505 – Lugang Township, Changhua County, Taiwan, R.O.C.
8. **Name and address of representative of manufacturer:**
Not applicable
9. **Remarks**
Date: October 27, 2015
Place: Chang Hua
Person in charge: Chung-Neng Yang





NOTE:
 1. THIS DRAWING SHALL BE APPLIED FOR RIGHT HAND ONLY AND LEFT HAND SHALL BE SYMMETRICAL, EXCEPT THE HEADLAMP'S REFLECTOR MODULE.
 2. THIS OUTER LENS IS FIXED ON THE HOUSING BY USING GLUE AND SNAP-IN CONNECTORS.
 3. THIS LAMP IS EQUIPPED WITH A REFLECTOR ADJUSTING DEVICE.



機械加工一般尺寸公差表

一般尺寸	公差
6以下	±0.1
6-30以下	±0.2
30-120以下	±0.3
120-150以下	±0.5
150以上	±1.0

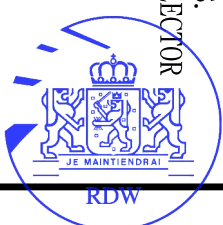
未註記公差者適用本表

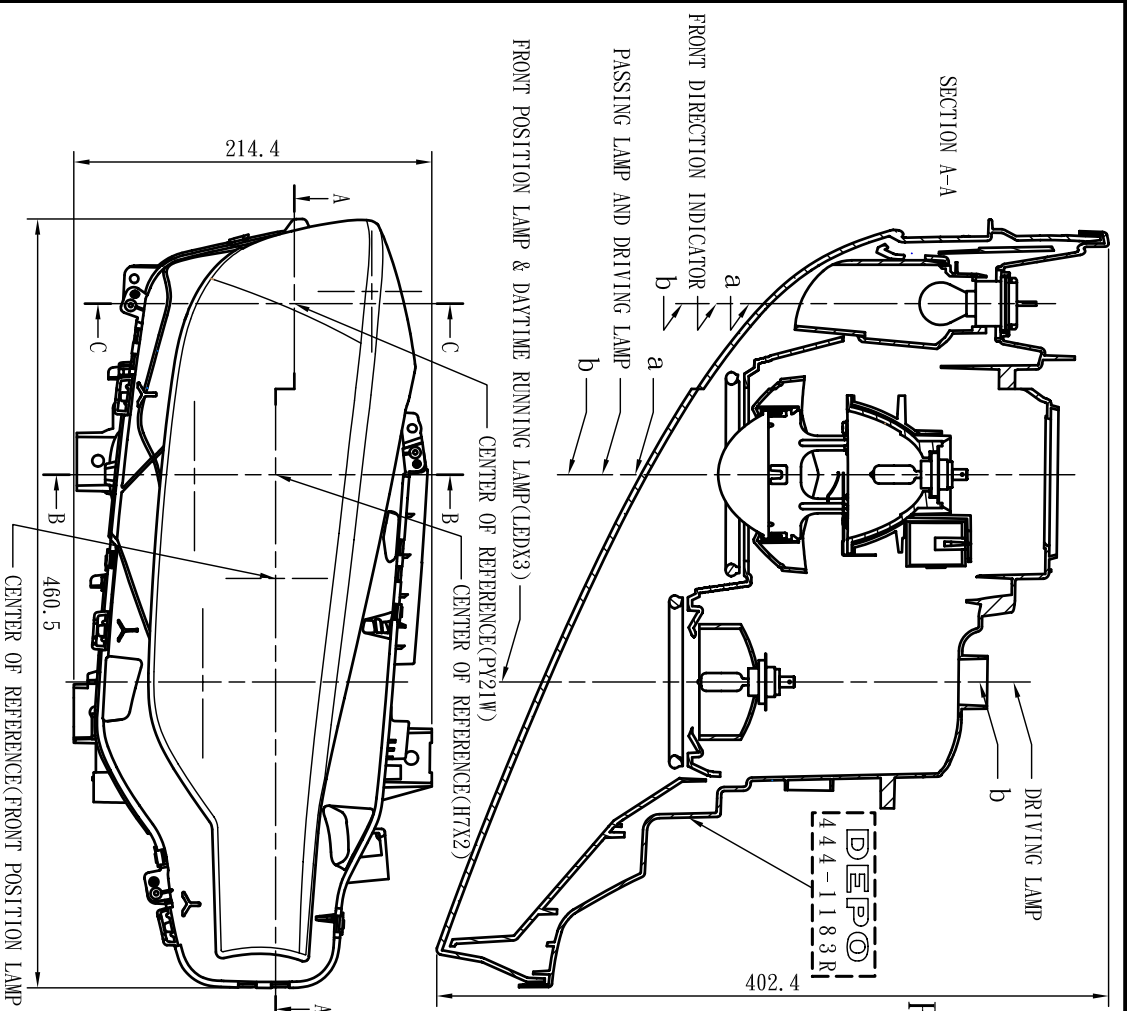
a: AXIS OF REFERENCE
 b: LONGITUDINAL PLANE OF VEHICLE
 c: HORIZONTAL PLANE OF VEHICLE

(LIGHT SOURCE MODULE)

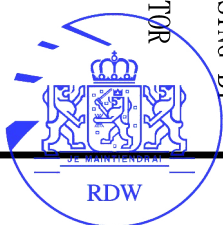
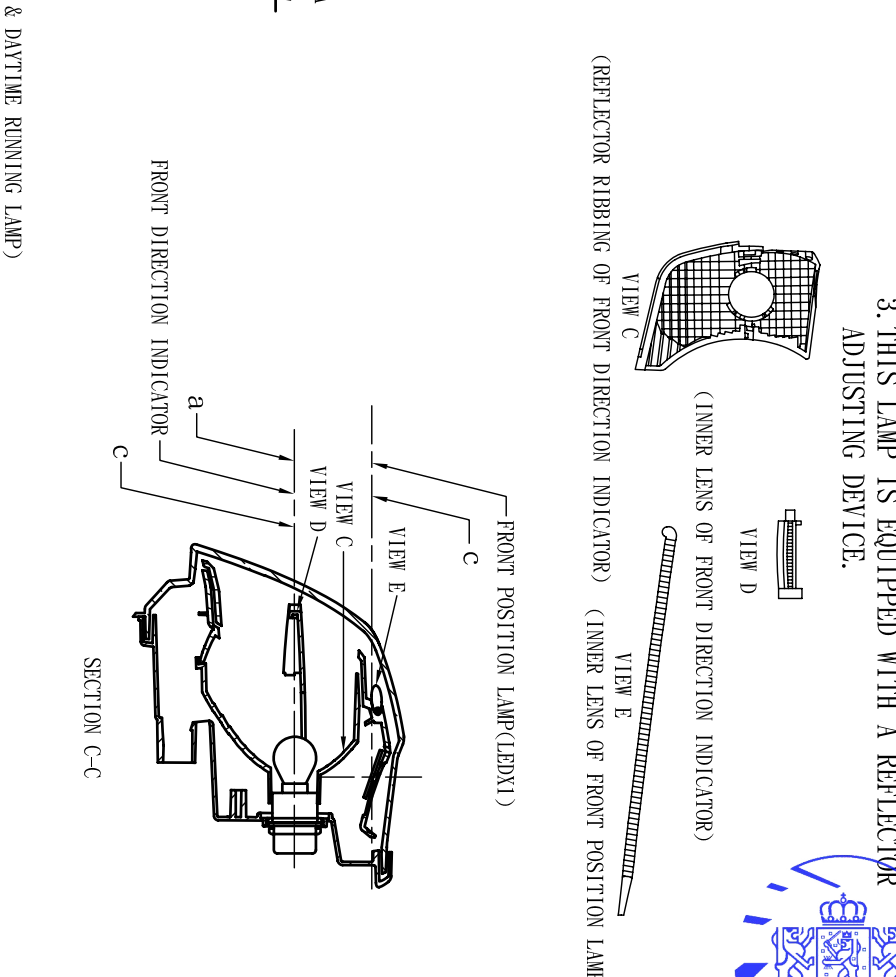
版次	修改說明	日期	制訂	審查	核准

444-1183R PMLDEN2	件號	名稱	材質	規格備註
製圖	黃慧中	2015/11/04	投影法	第三角法
設計	林建龍	比例	0.32 : 1	單位
審核	楊忠能	圖名	頭燈組立圖	mm
	許叙超	圖號	00\444-1183L1	





NOTE:
 1. THIS DRAWING SHALL BE APPLIED FOR RIGHT HAND ONLY AND LEFT HAND SHALL BE SYMMETRICAL, EXCEPT THE HEADLAMP'S REFLECTOR MODULE.
 2. THIS OUTER LENS IS FIXED ON THE HOUSING BY USING GLUE AND SNAP-IN CONNECTORS.
 3. THIS LAMP IS EQUIPPED WITH A REFLECTOR ADJUSTING DEVICE.



機械加工一般尺寸公差表

一般尺寸	公差
6以下	±0.1
6-30以下	±0.2
30-120以下	±0.3
120-150以下	±0.5
150以上	±1.0

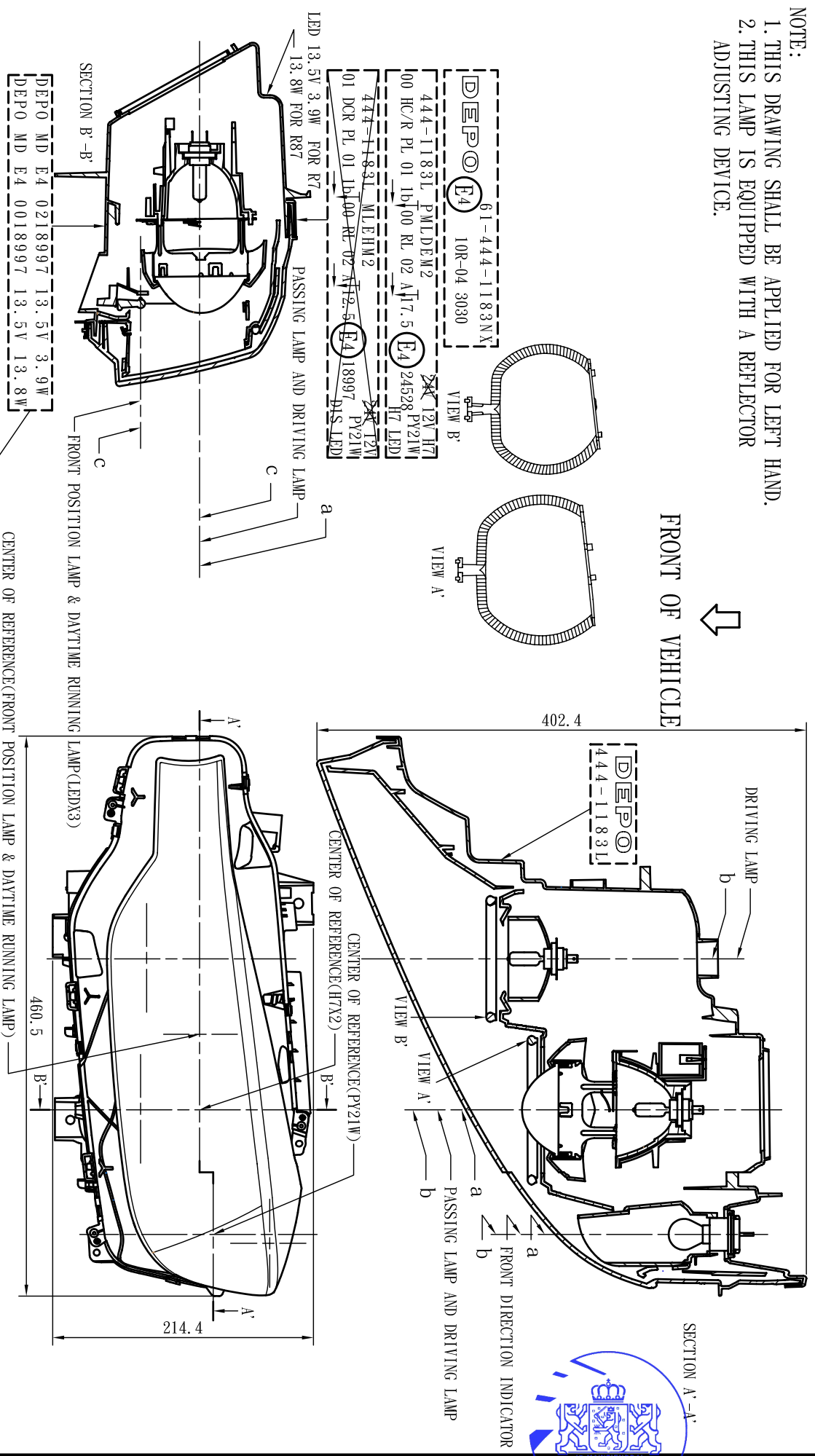
未註記公差者適用本表

a: AXIS OF REFERENCE
 b: LONGITUDINAL PLANE OF VEHICLE
 c: HORIZONTAL PLANE OF VEHICLE

板次	修改說明	日期	制訂	審查	核准

444-1183R	PMLDEN2	件號	名稱	材質	規格備註
製圖	黃慧中	2015/11/04	投影法	第三角法	單位
設計	林建龍		比例	0.32 : 1	mm
審核	楊忠能		圖名	頭燈組立圖	
	許叙超		圖號	00\444-1183L2	

NOTE:
 1. THIS DRAWING SHALL BE APPLIED FOR LEFT HAND.
 2. THIS LAMP IS EQUIPPED WITH A REFLECTOR ADJUSTING DEVICE.



機械加工一般尺寸公差表

一般尺寸	公差
6以下	±0.1
6-30以下	±0.2
30-120以下	±0.3
120-150以下	±0.5
150以上	±1.0

未註記公差者適用本表

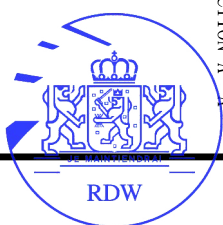
a: AXIS OF REFERENCE
 b: LONGITUDINAL PLANE OF VEHICLE
 c: HORIZONTAL PLANE OF VEHICLE

振次	修改說明	日期	制訂	審查	核准
審核					
製	圖	號	名	稱	材
設	計	號	稱	稱	質
黃	林	中	2015/11/04		第三角法
慧	建				比例 0.32 : 1
中	龍				單 位
	能				mm
					頭燈組立圖
					圖 號
					00444-11831.3

444-1183L PMLDEN2

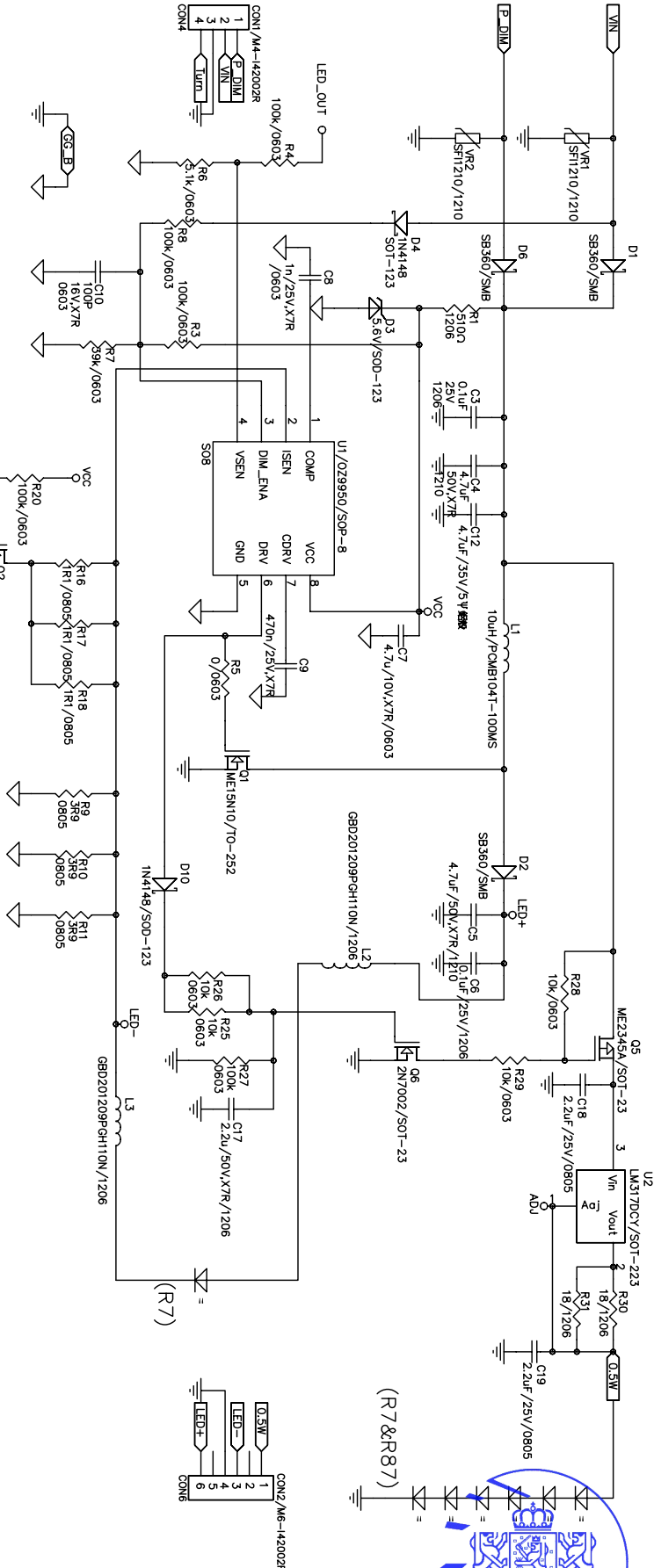
規格備註

表單編號: MYR-F105



61-444-1183NX
FUNCTION: DAYTIME RUNNING LAMP AND FRONT POSITION LAMP

NOTE:
1. THIS DRAWING SHALL BE APPLIED FOR RIGHT HAND AND LEFT HAND.



機械加工一般尺寸公差表	公差
一般尺寸	±0.1
6-30以下	±0.2
30-120以下	±0.3
120-150以下	±0.5
150以上	±1.0

R7 : 7 LED ON
R87 : 6 LED ON
LED current = 150mA/680mA

版次	修改說明	日期	制訂	審查	核准

444-1183R/L	PMLDEN2	名稱		材質	
件號					
製圖	黃慧中	日期	2015/11/04	投影法	第三角法
設計	林建龍	比例	1:1	圖名	
	楊忠能				
	許敏超	圖號			

